

FIG. 1  
(PRIOR ART)

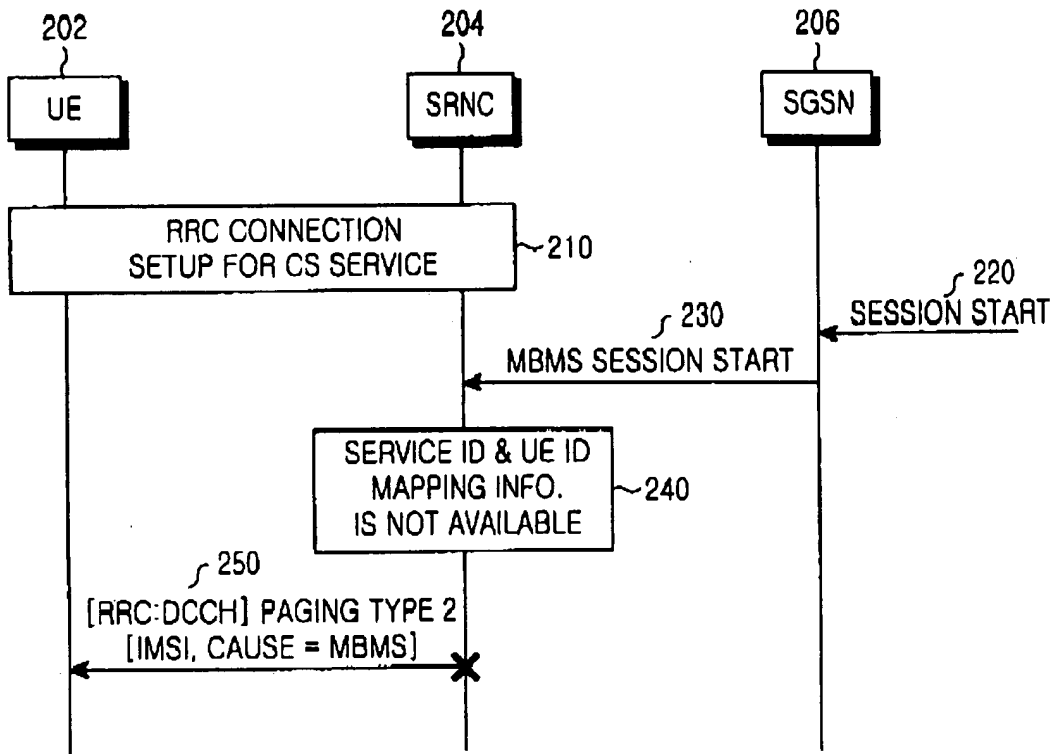


FIG.2  
(PRIOR ART)

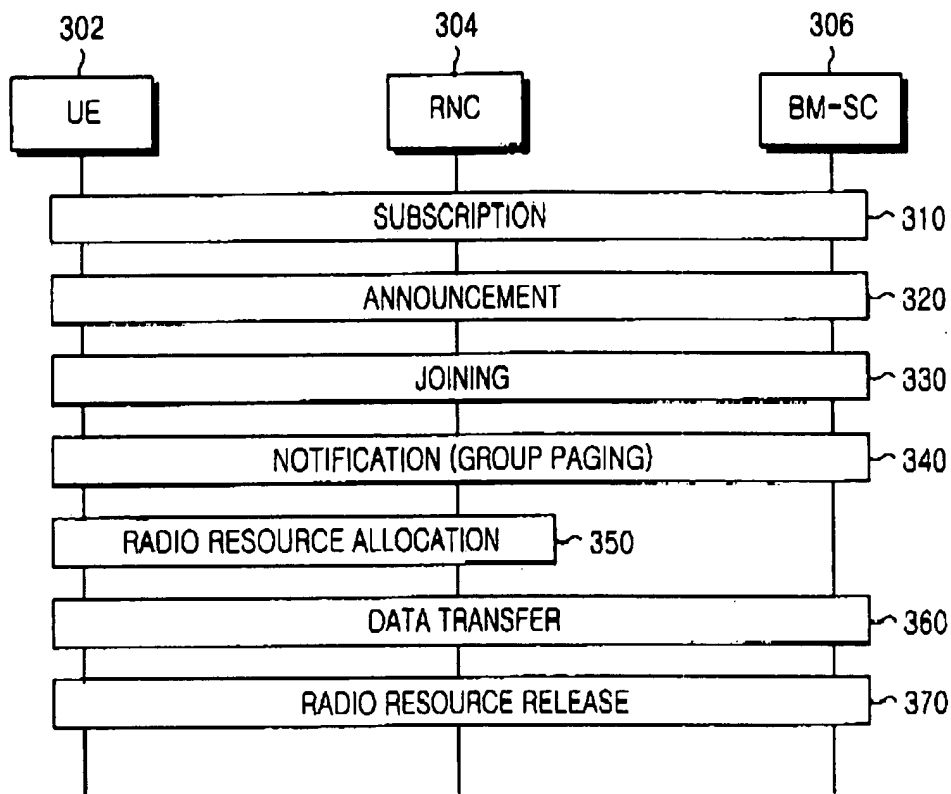


FIG. 3  
(PRIOR ART)

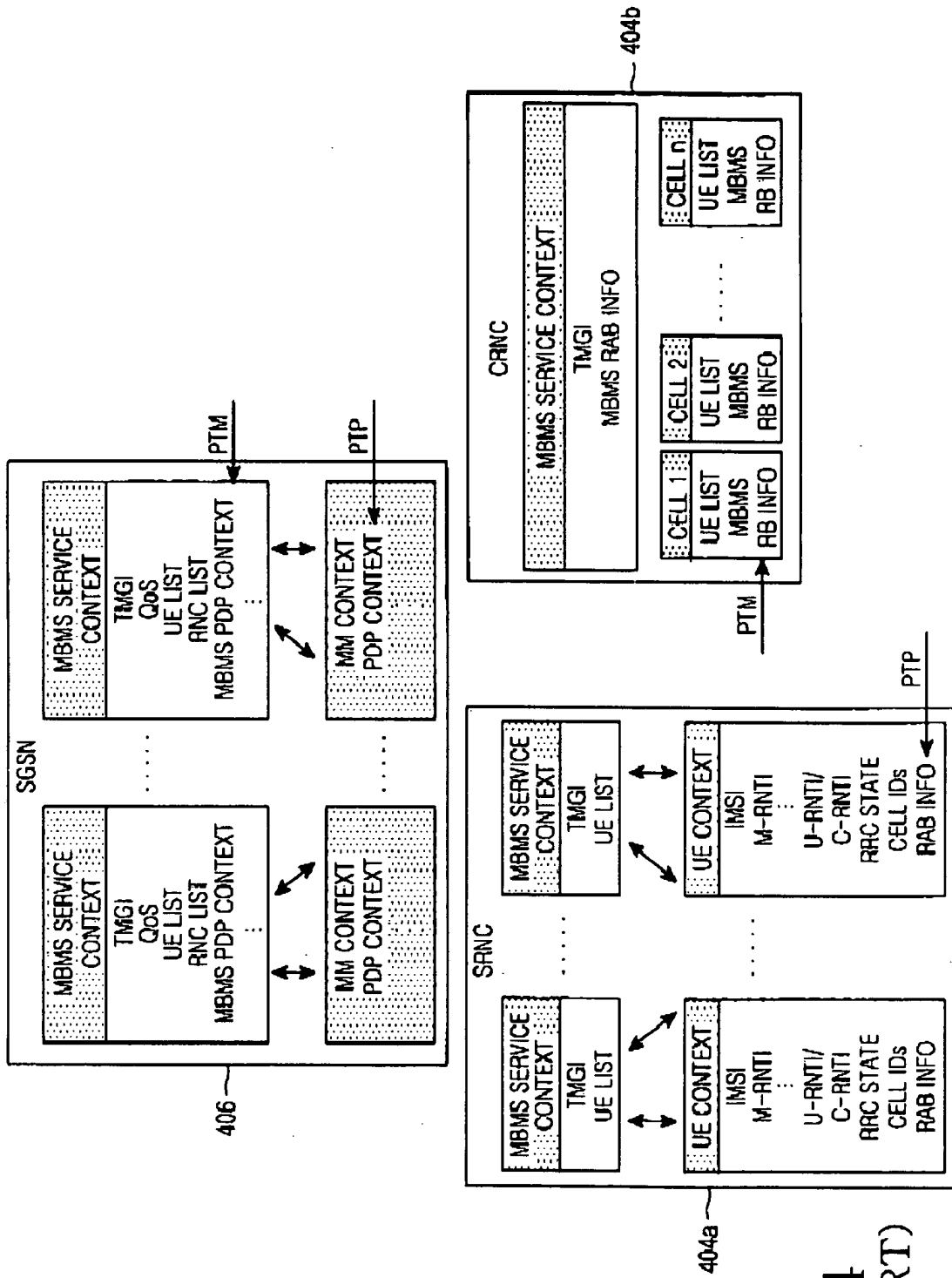


FIG.4  
(PRIOR ART)

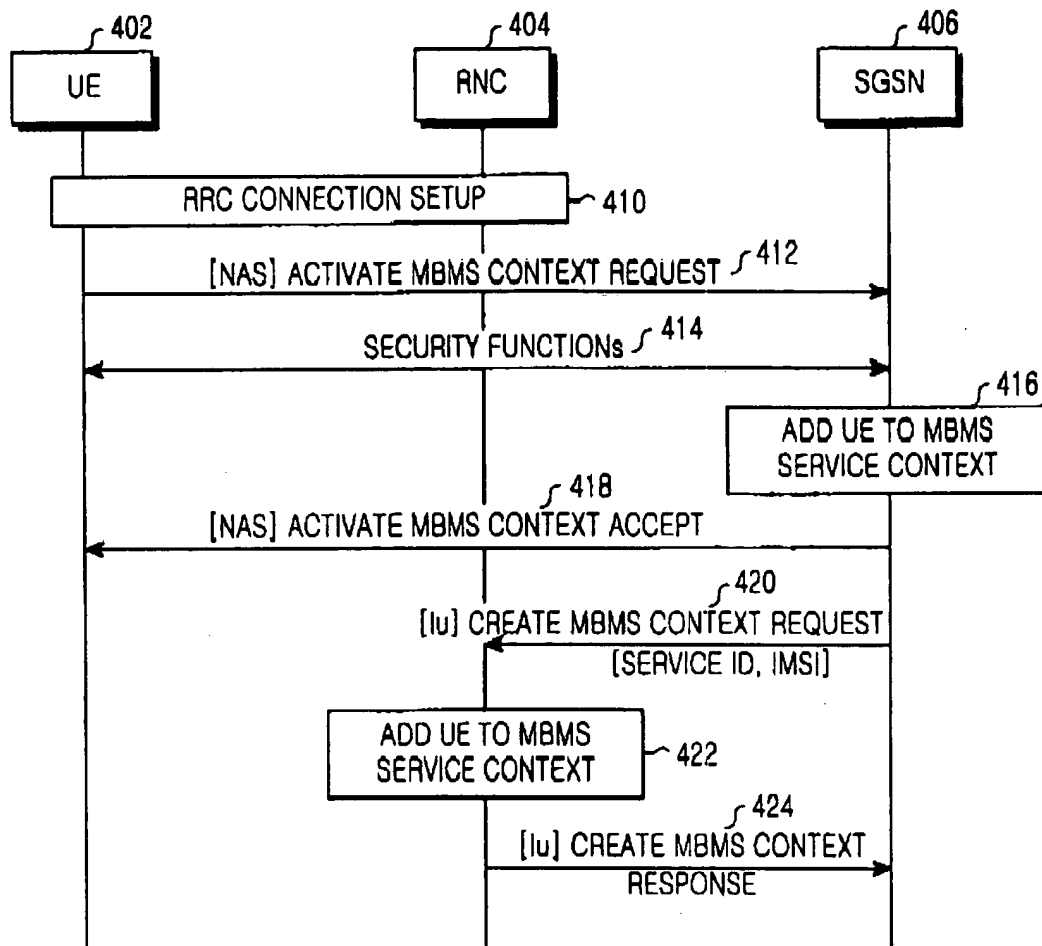


FIG.5  
(PRIOR ART)

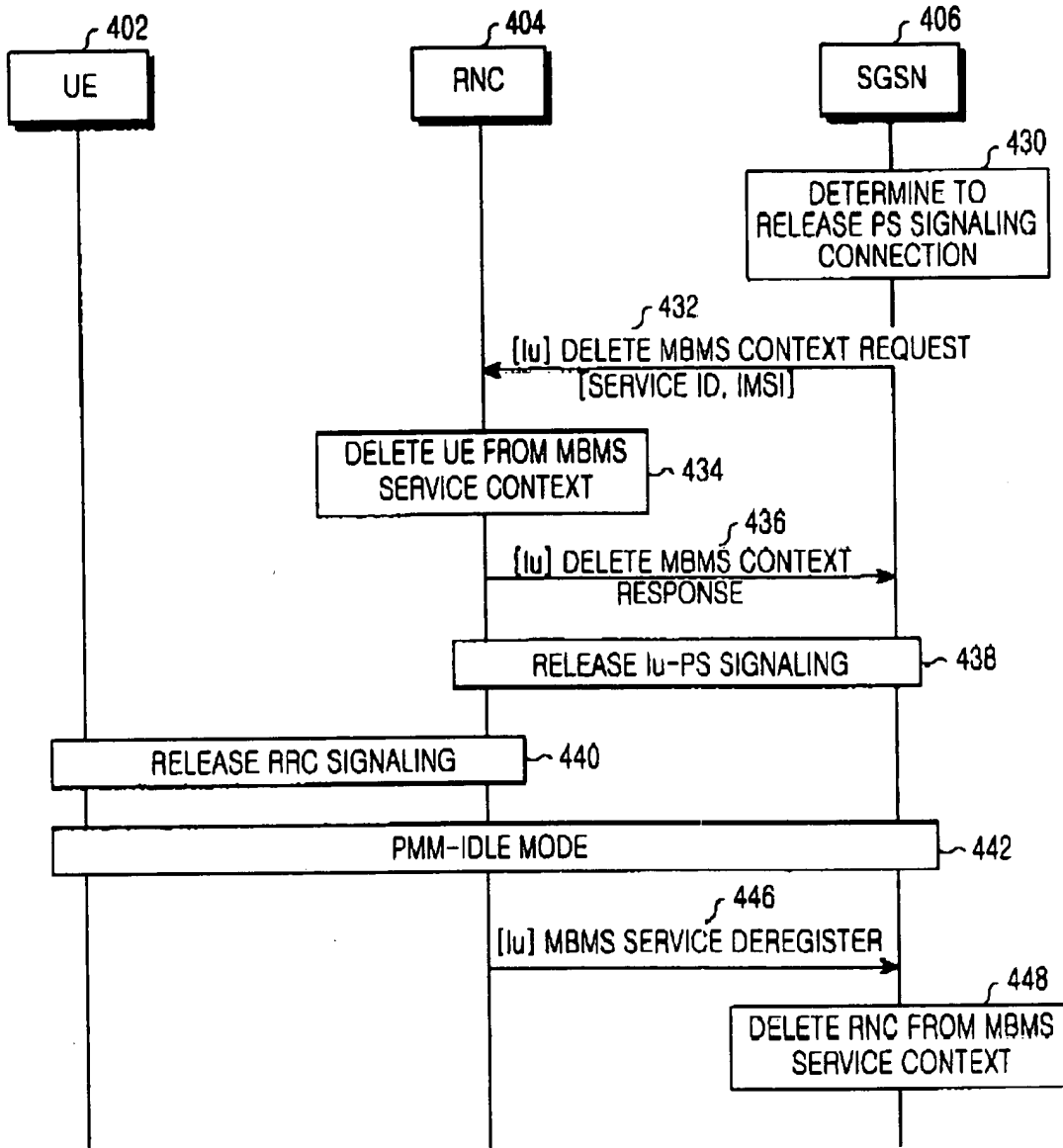


FIG.6  
(PRIOR ART)

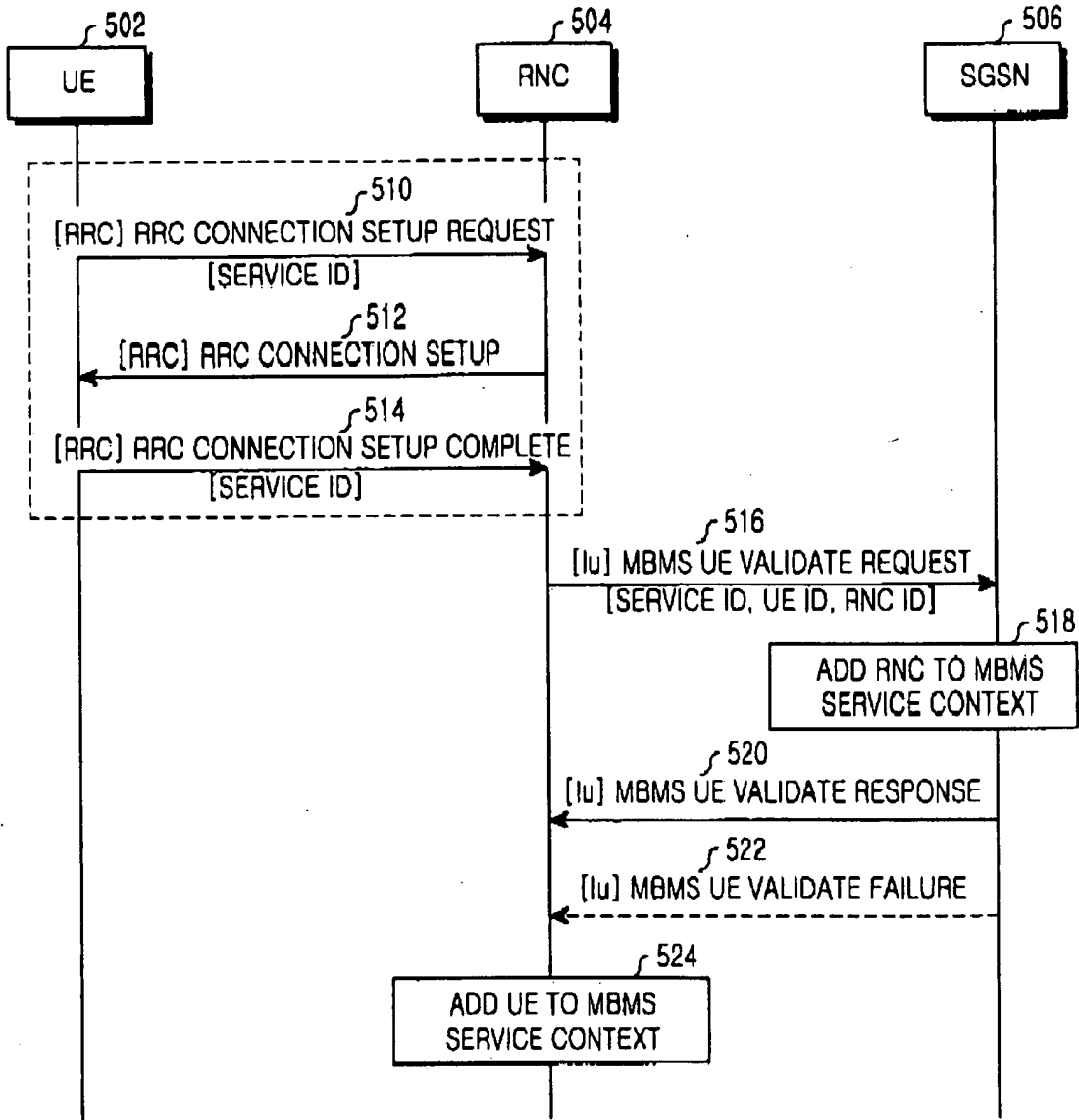


FIG.7

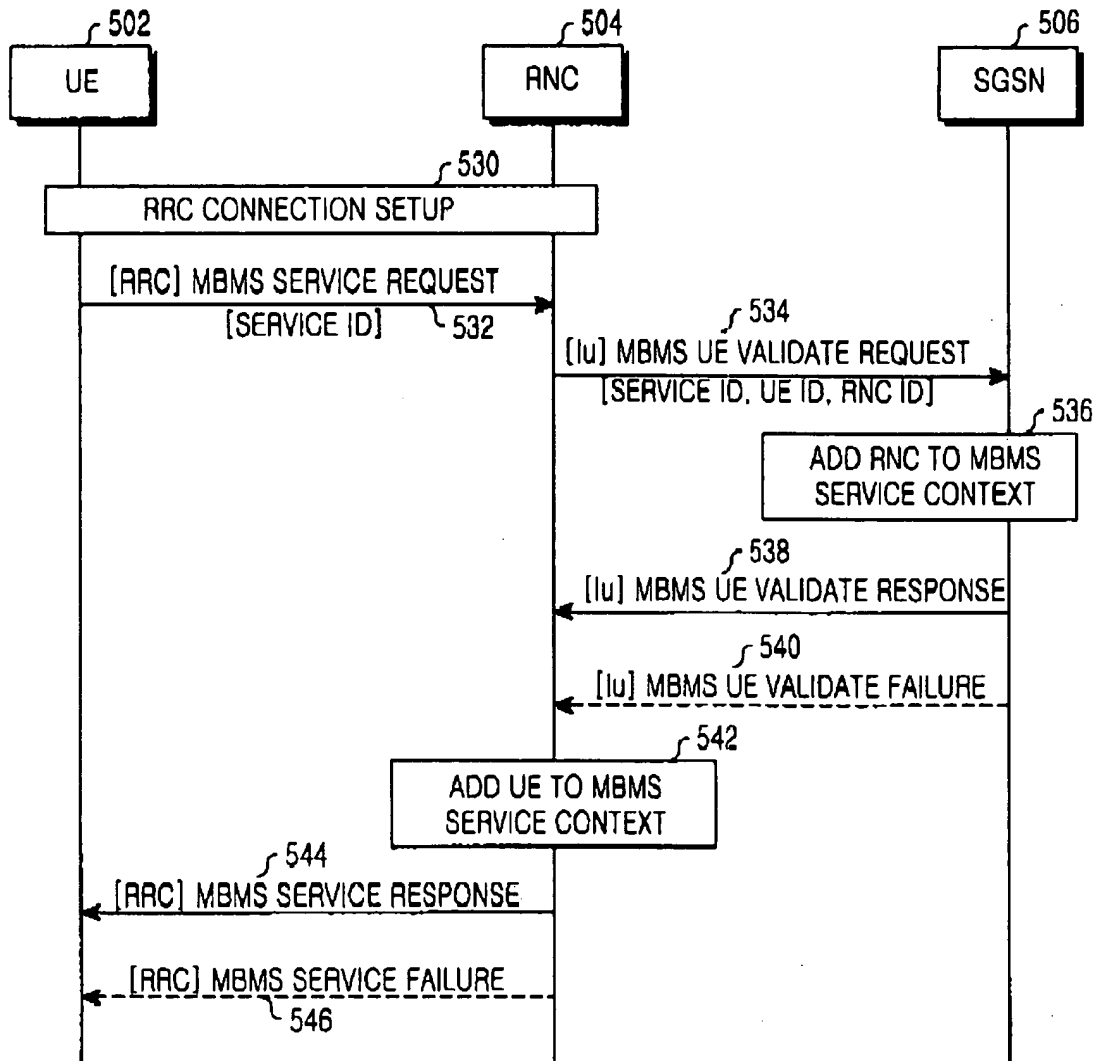


FIG.8



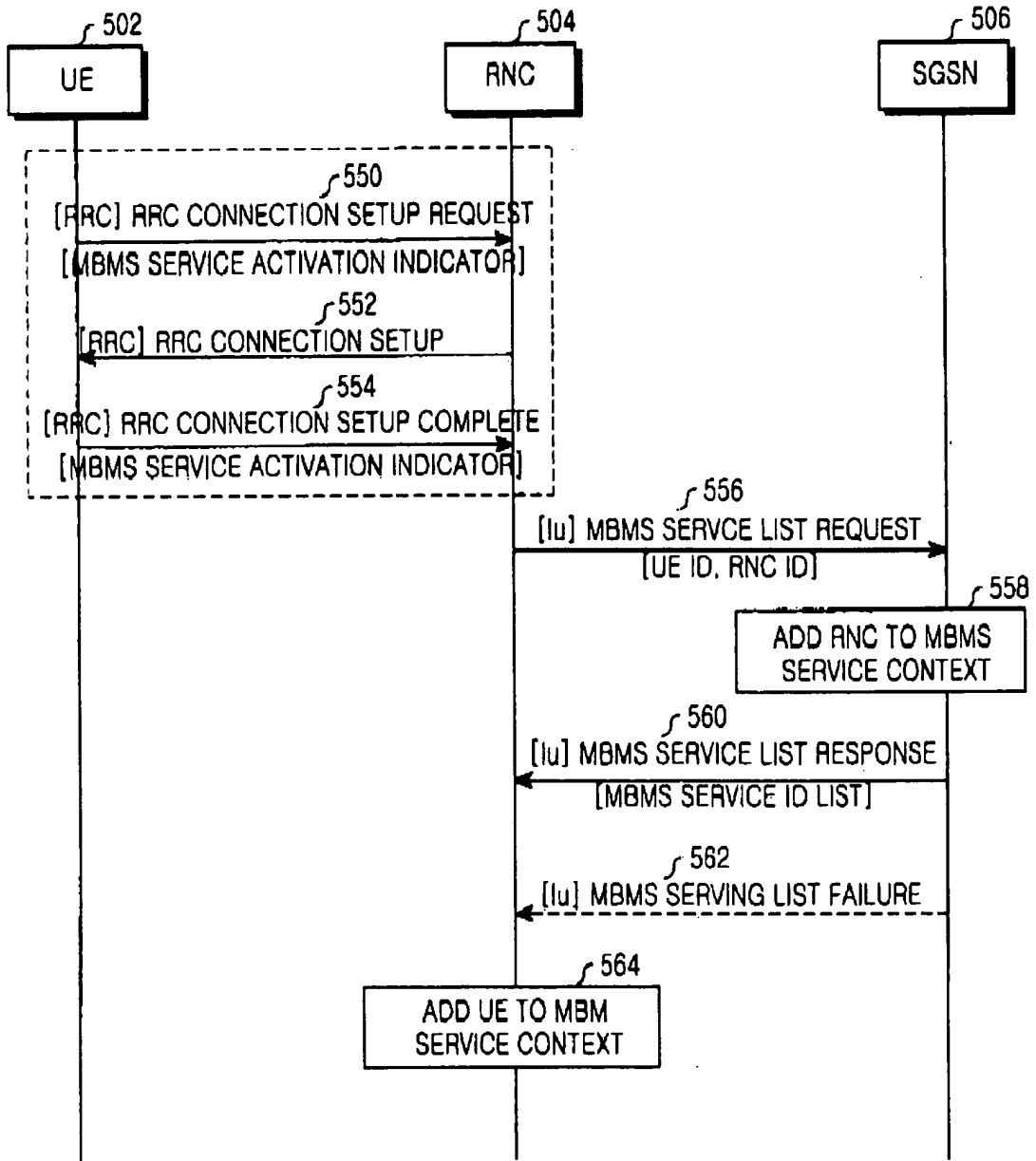


FIG.9

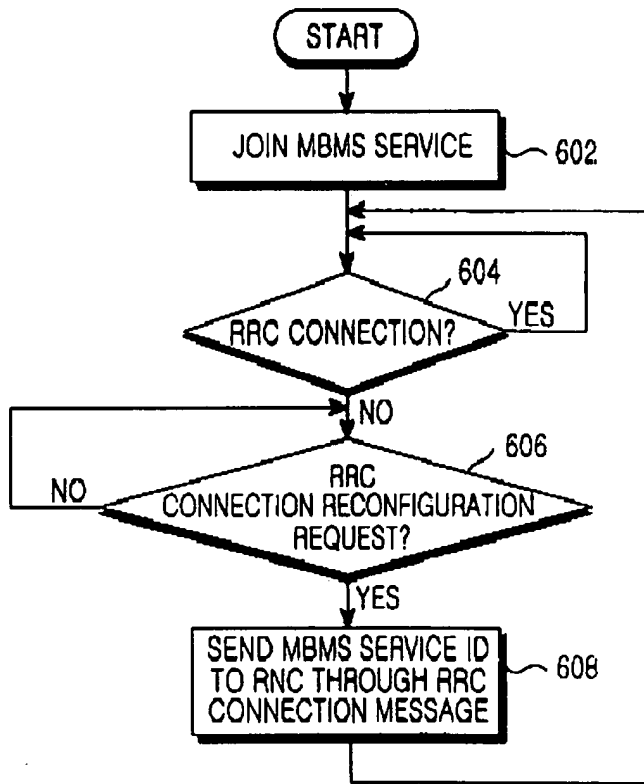


FIG.10

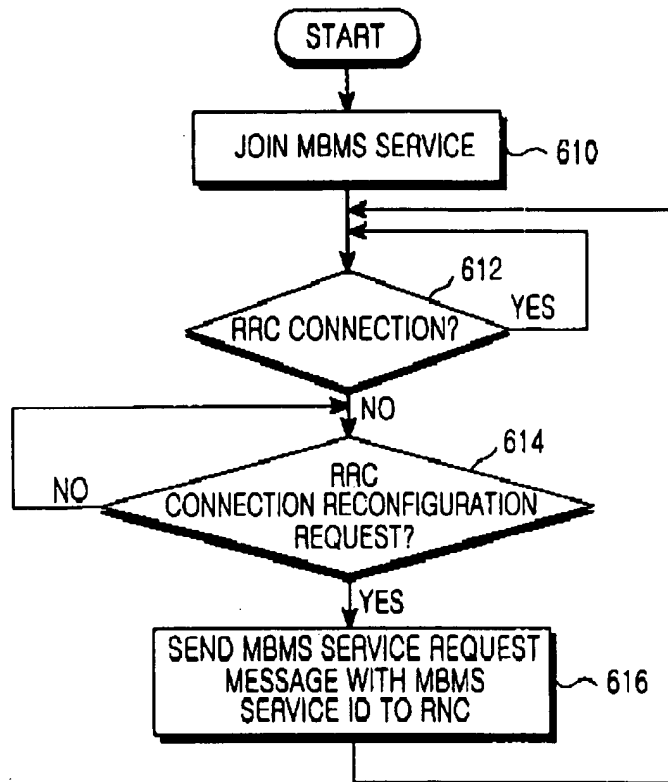


FIG.11

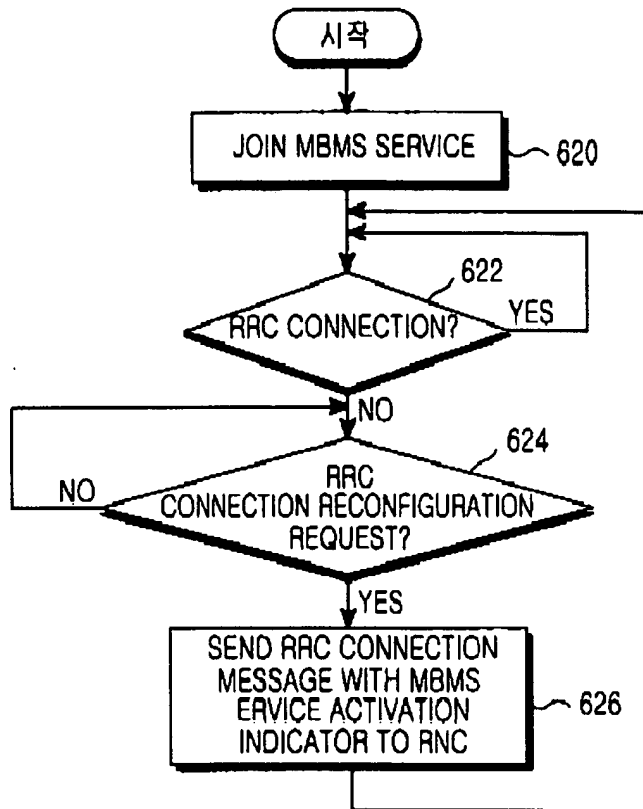


FIG.12

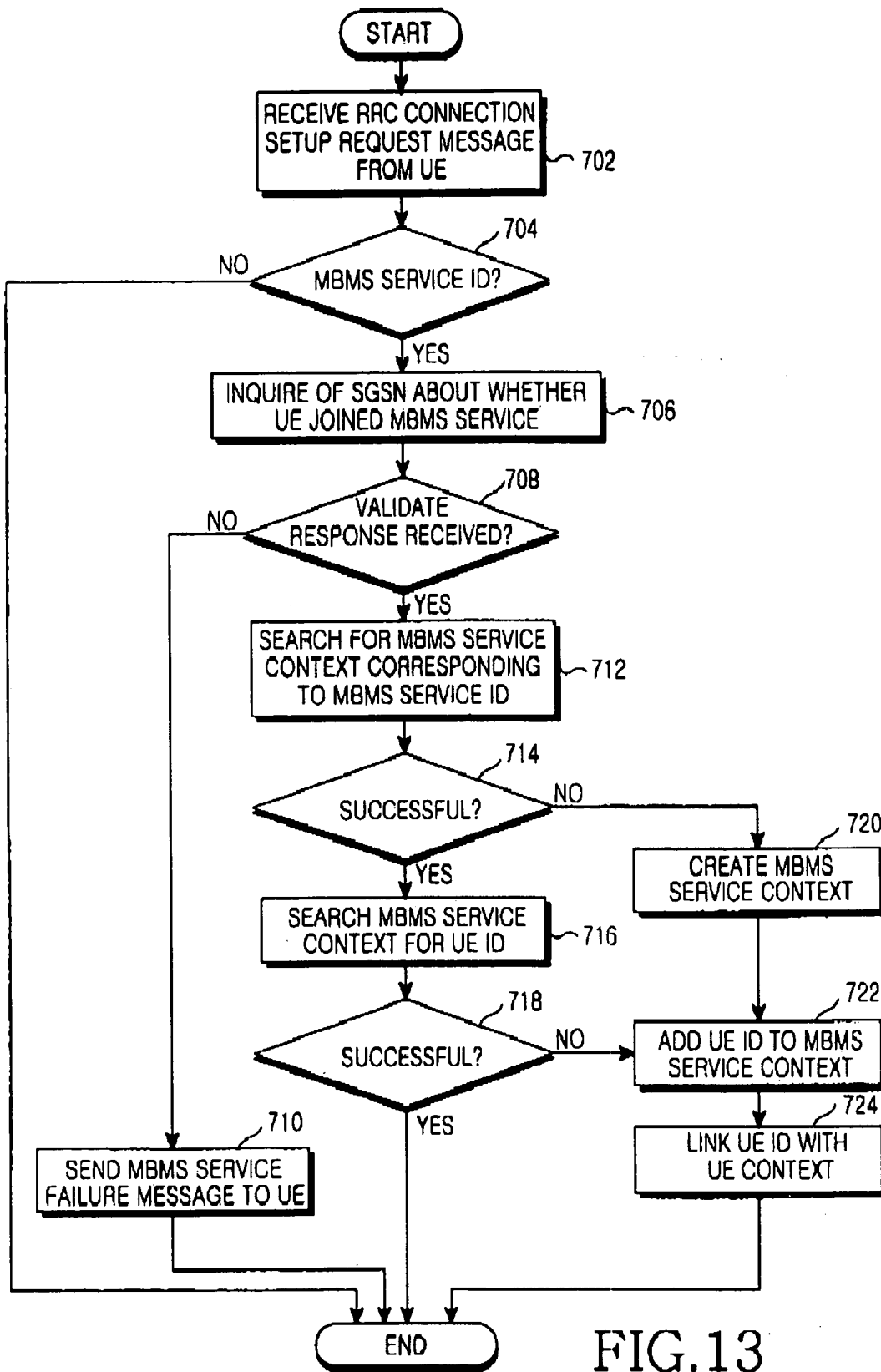


FIG. 13

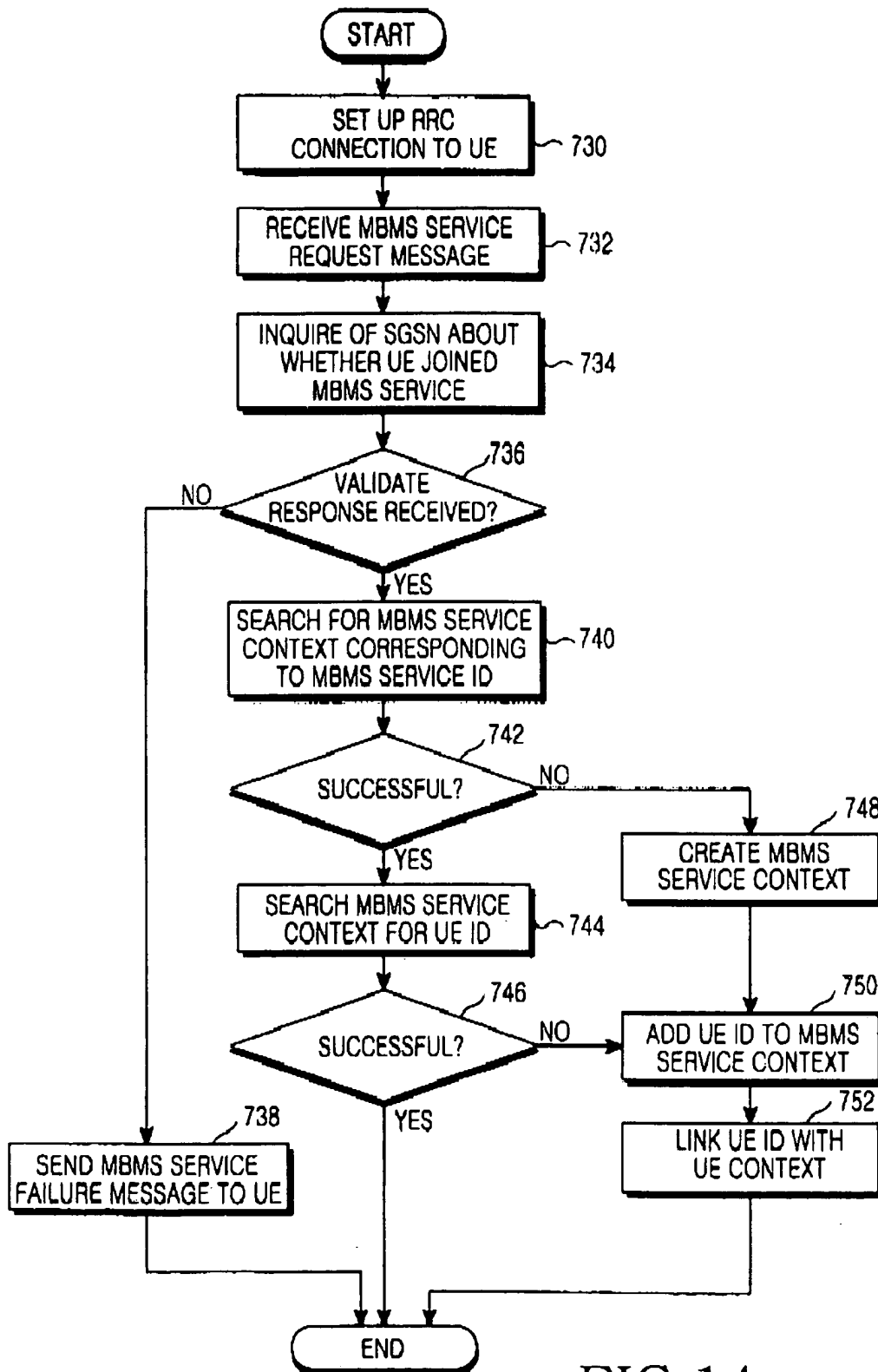


FIG. 14

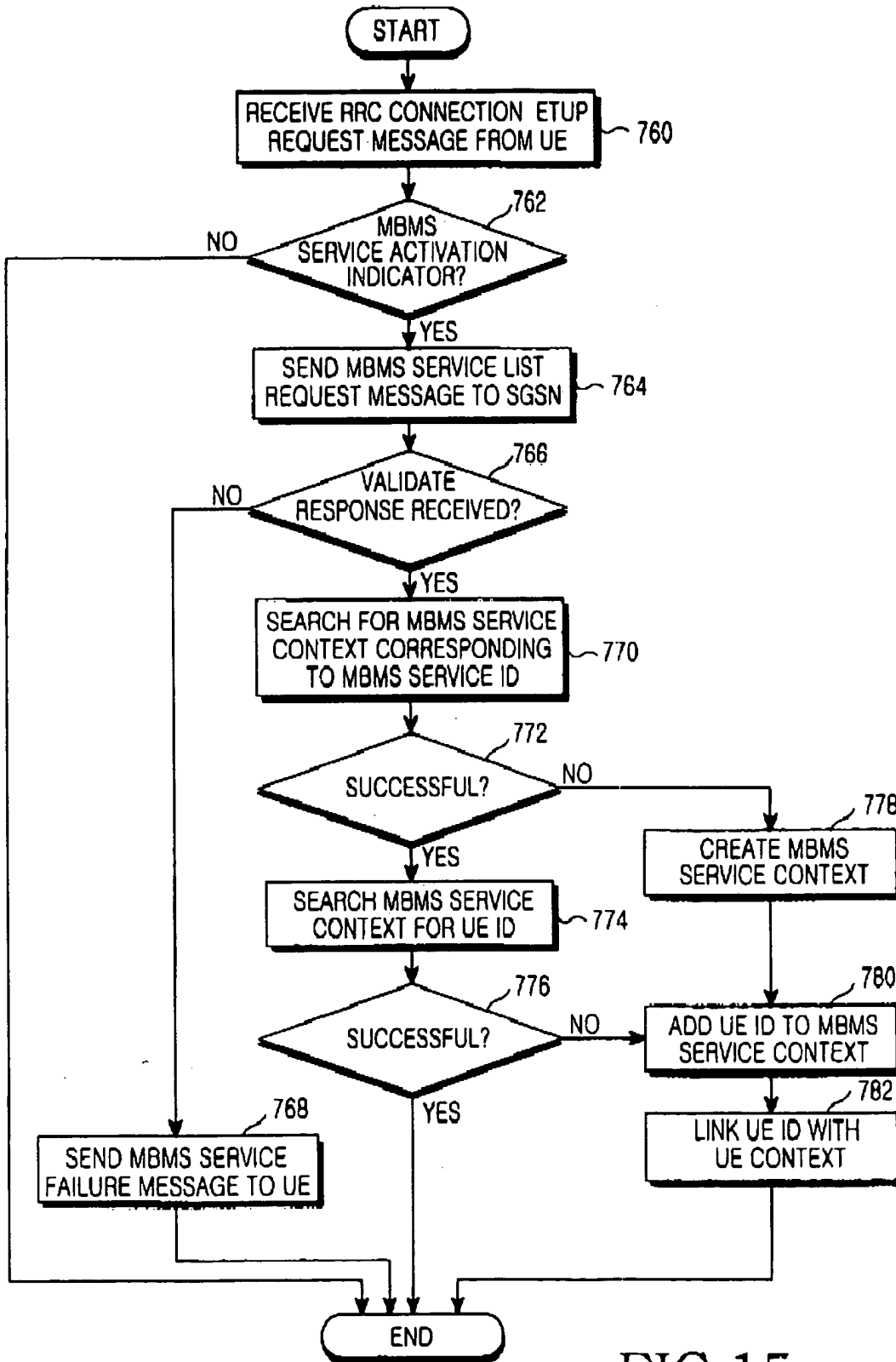


FIG. 15

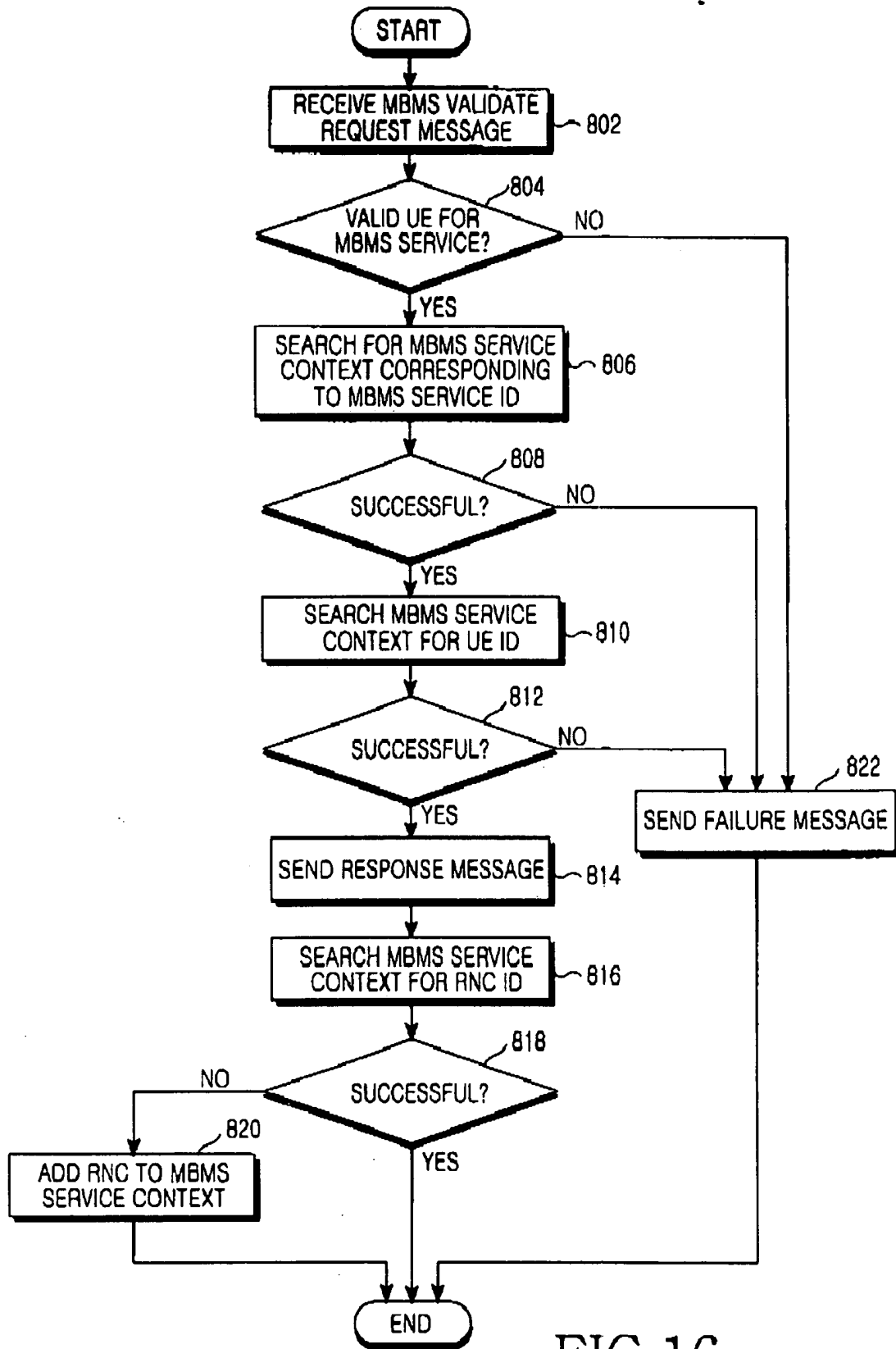


FIG.16



17/25

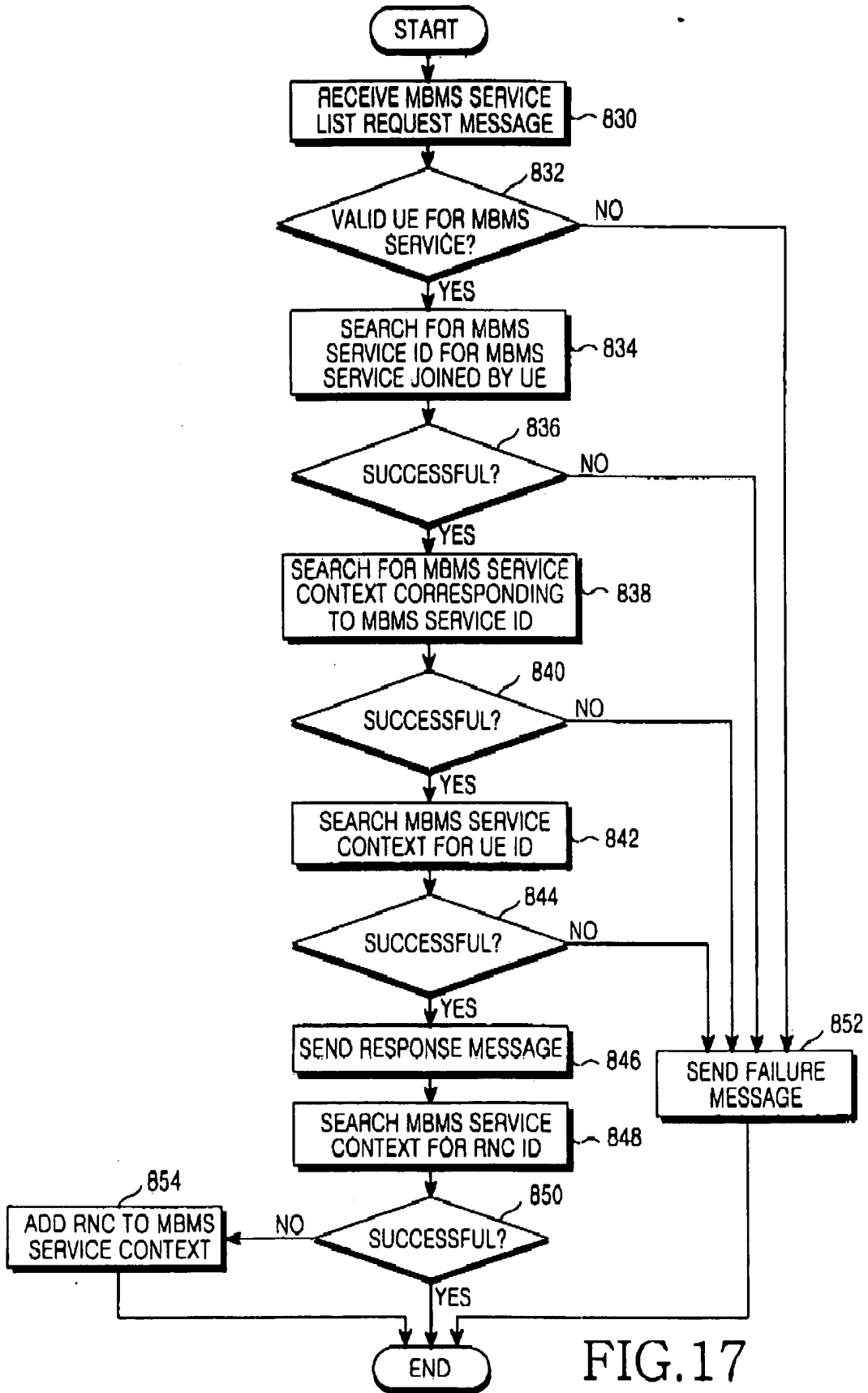


FIG. 17

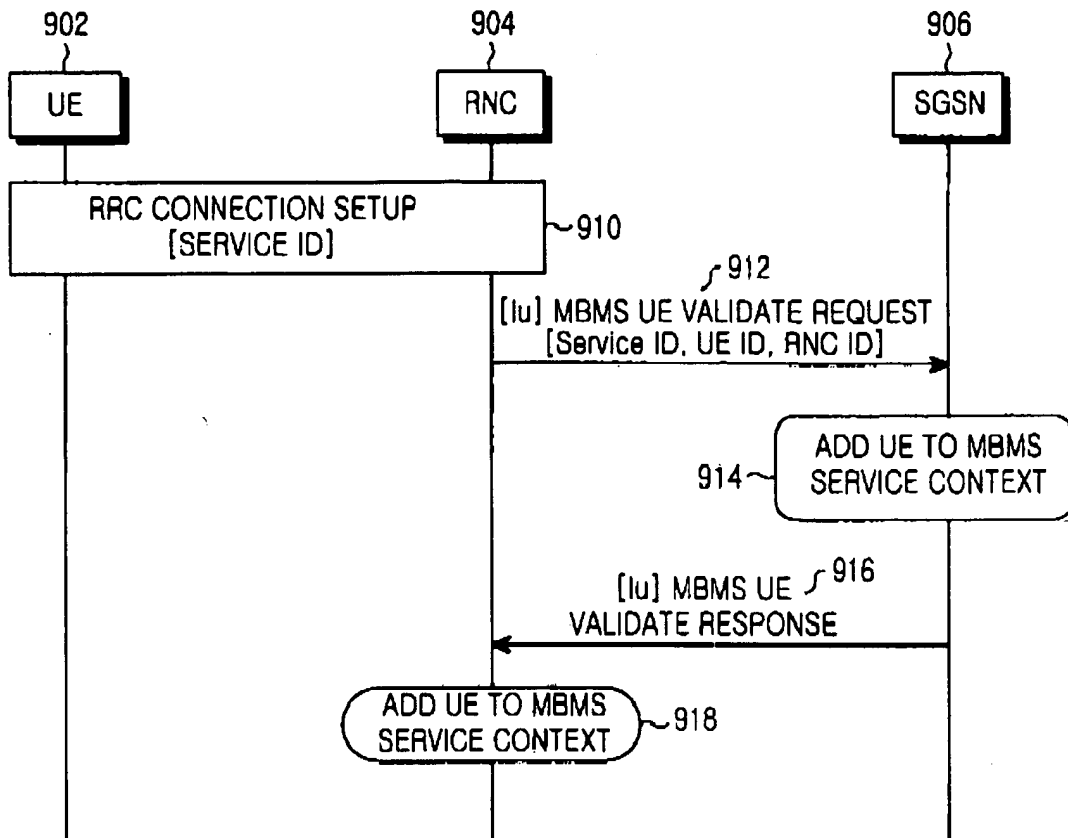


FIG.18

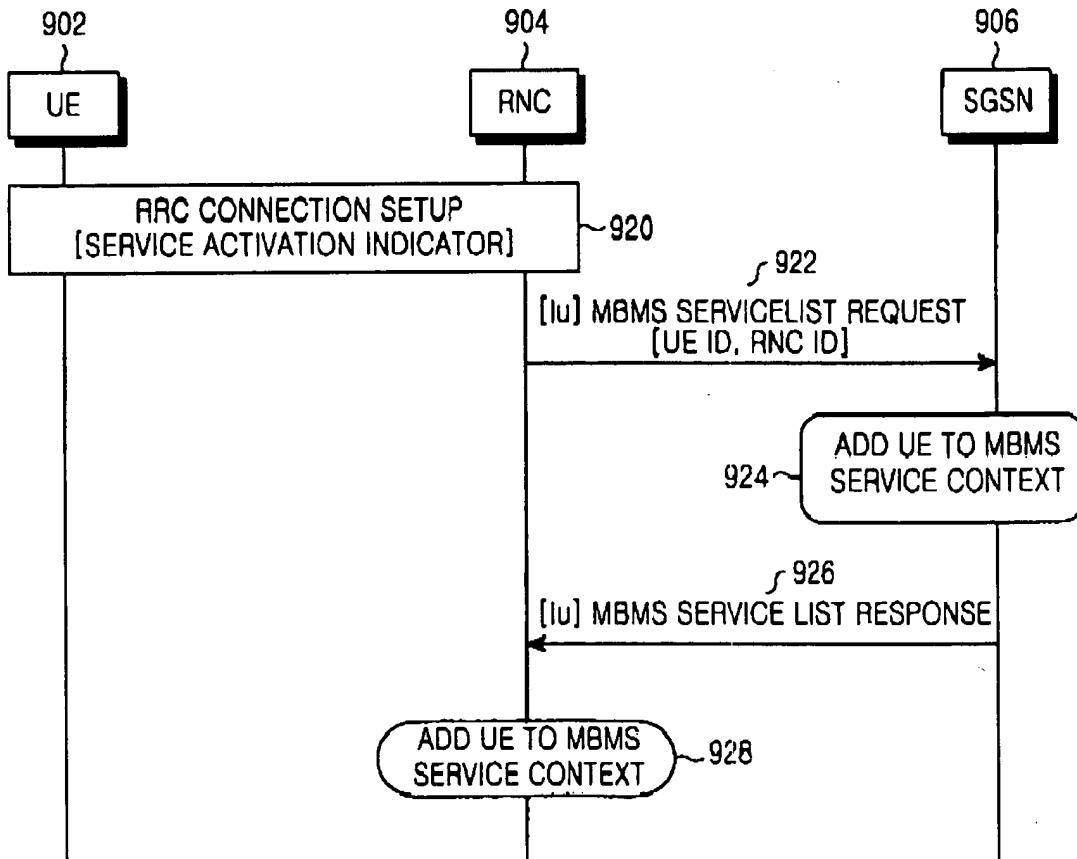


FIG. 19

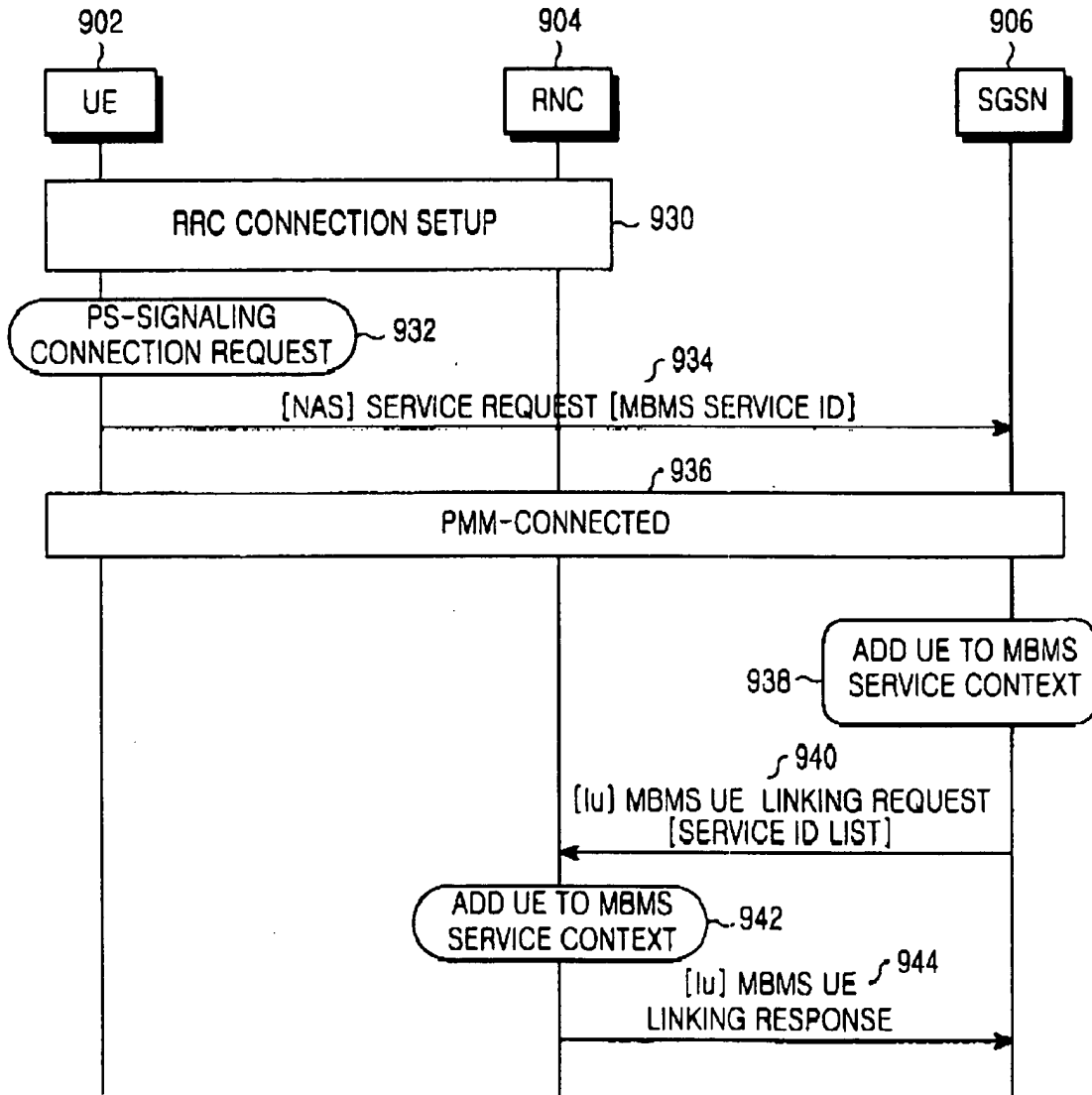


FIG.20

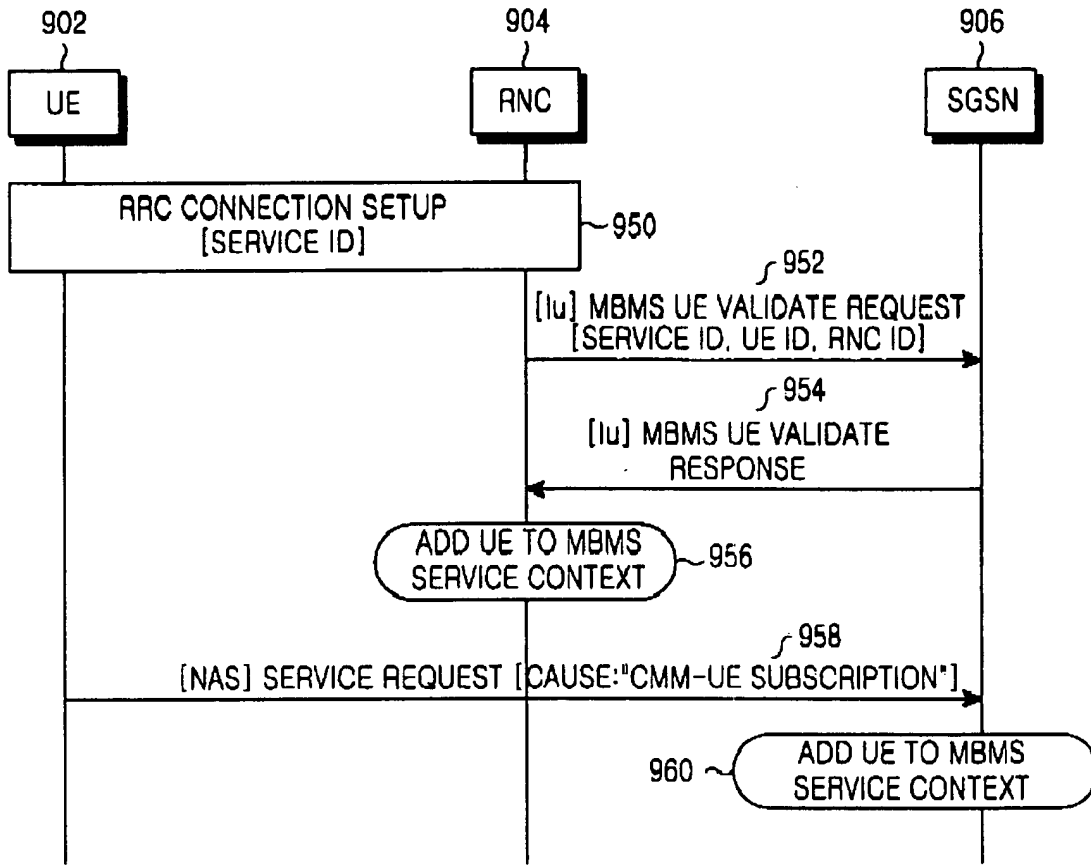


FIG.21

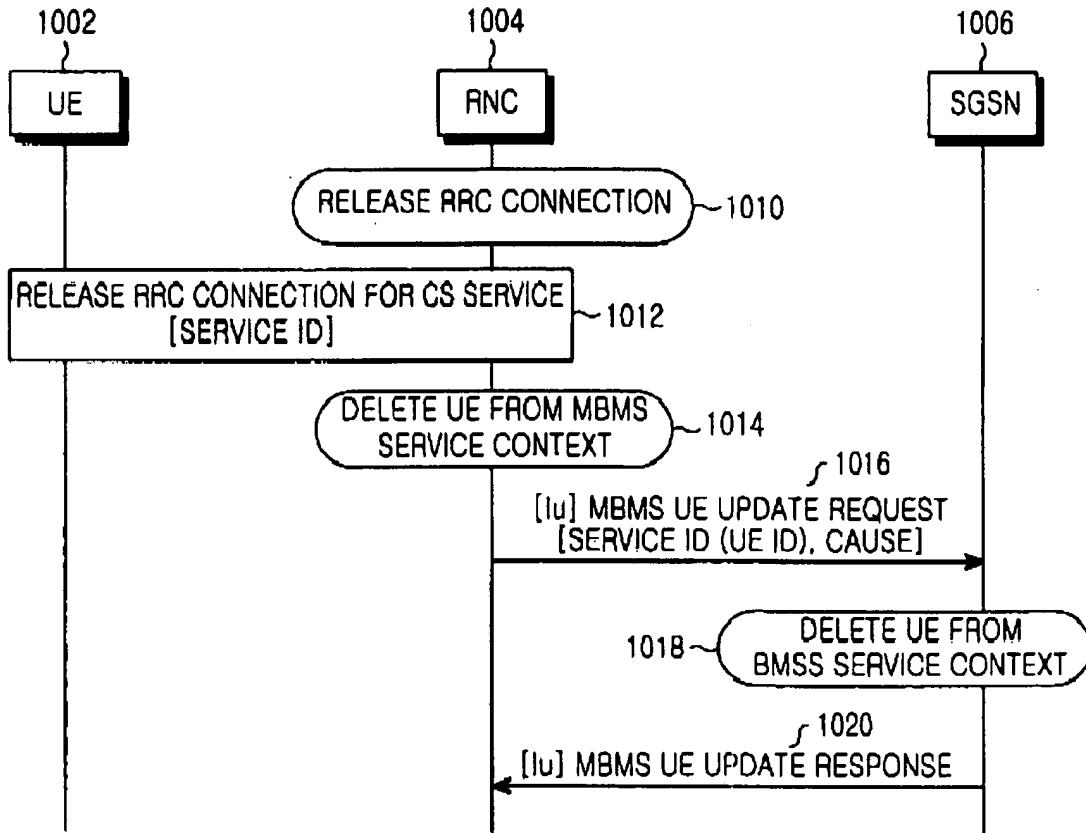


FIG.22

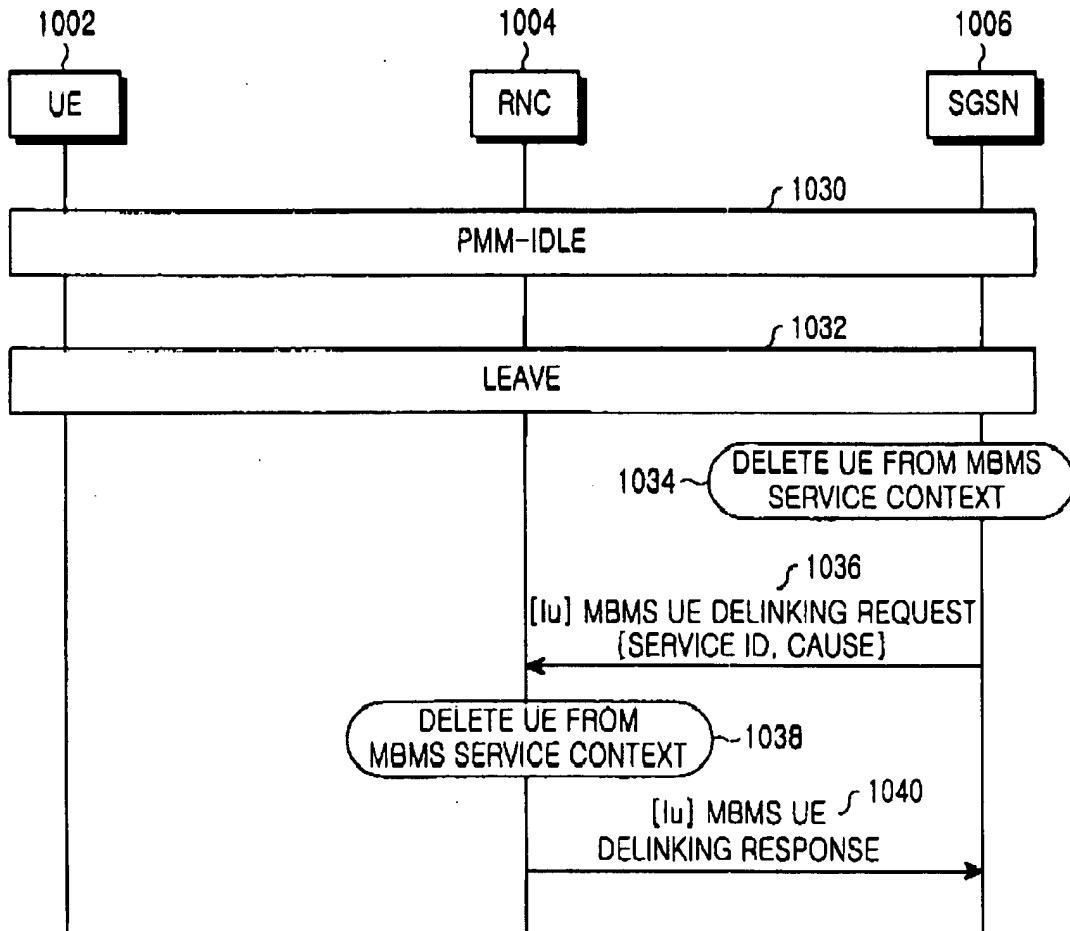


FIG.23

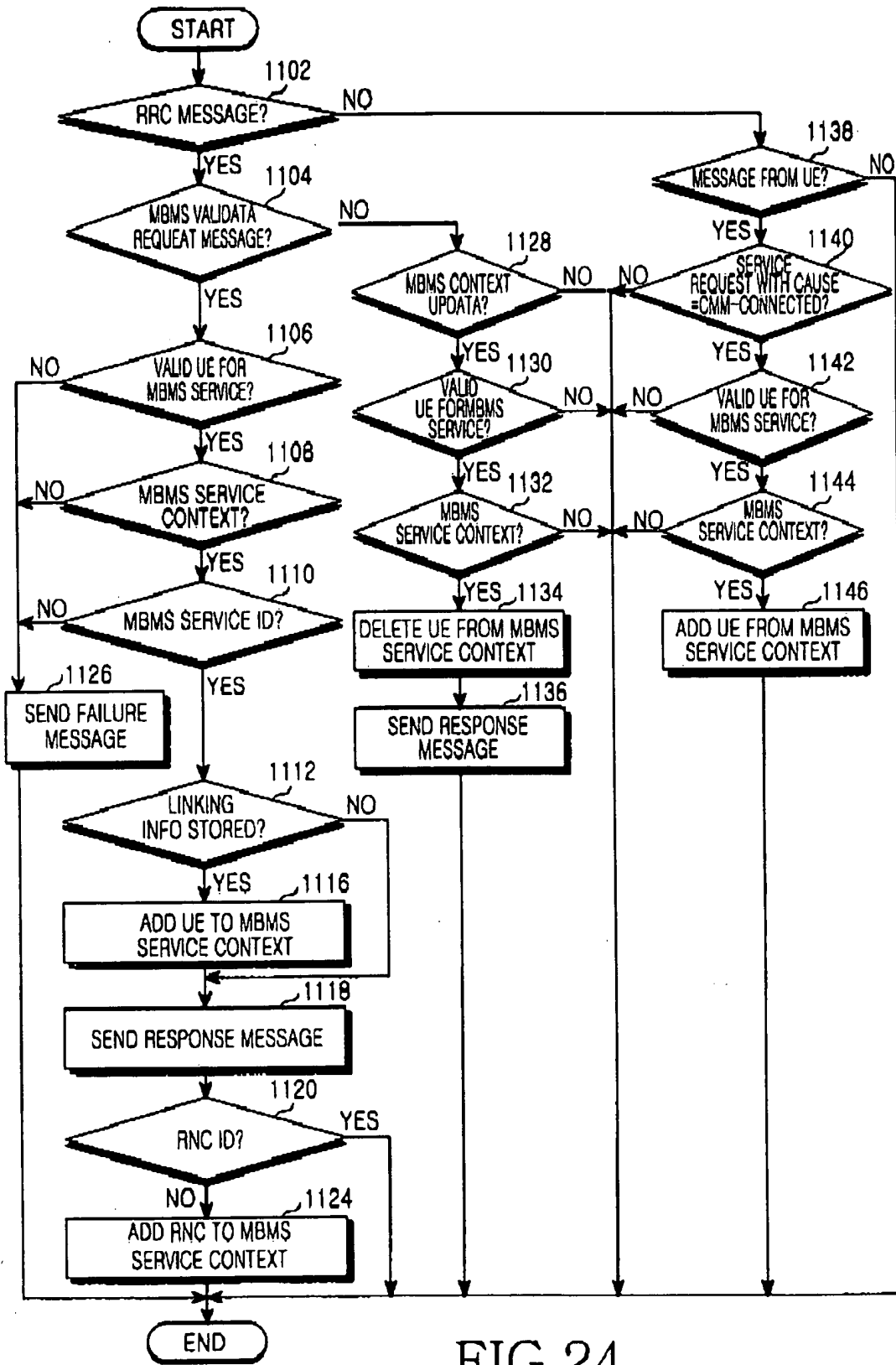


FIG.24



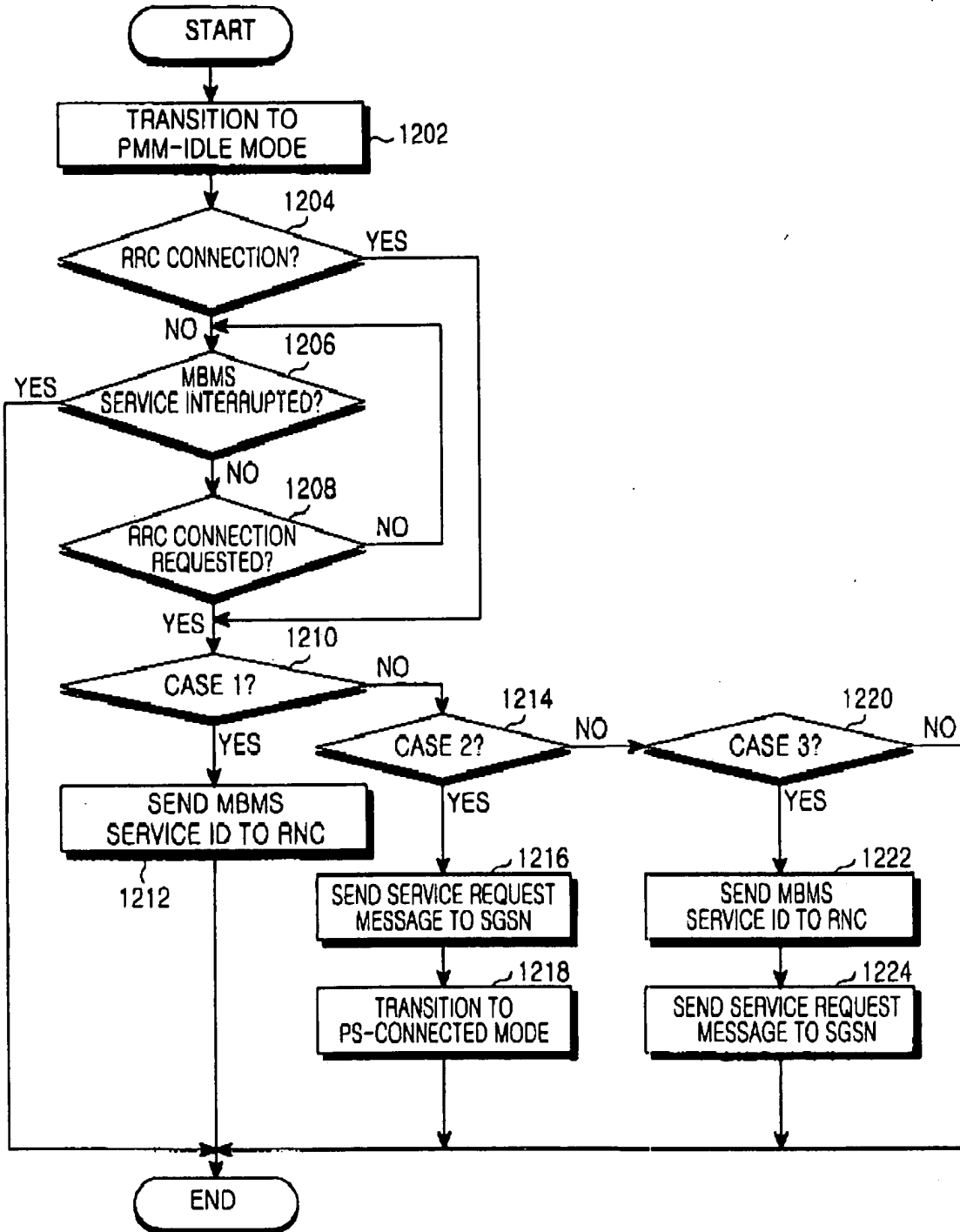


FIG.25